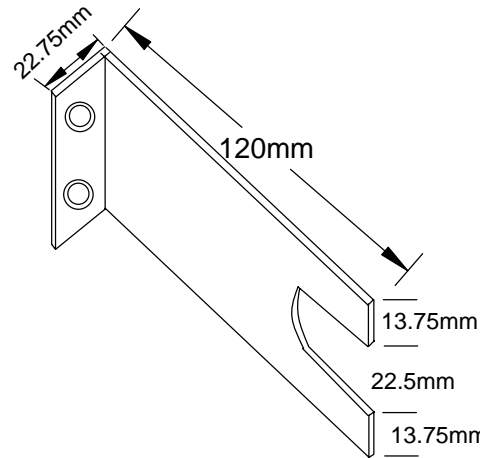
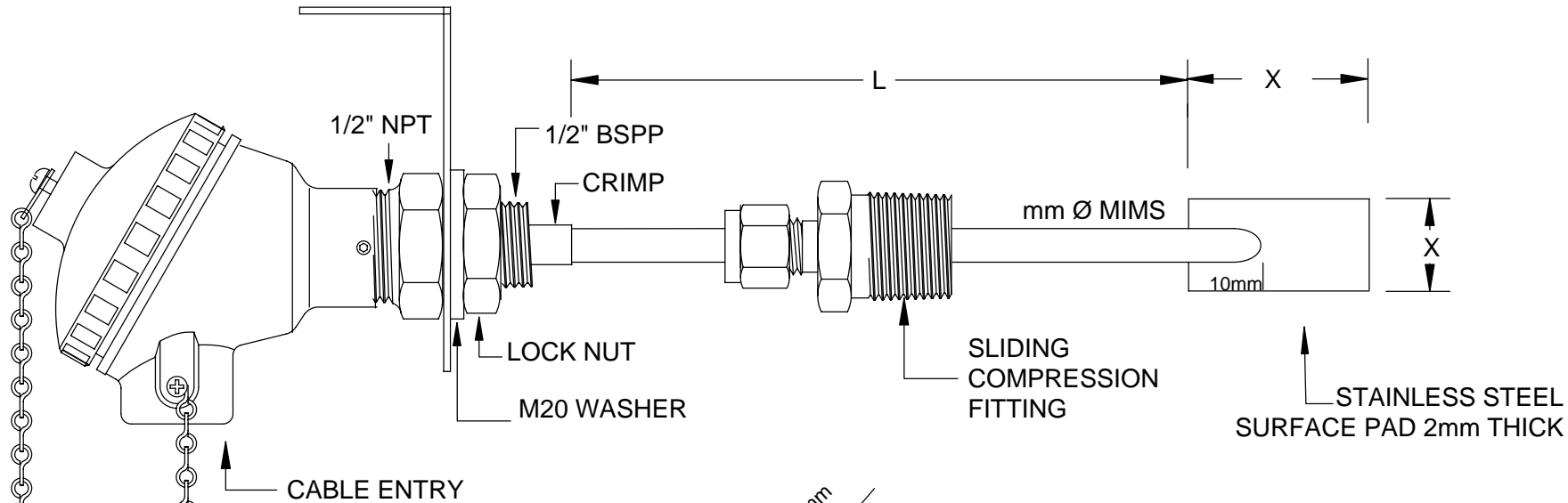


SS L BRACKET WITH 2 MOUNTING HOLES



2mm THICK  
 HOLES ARE 9.5mm DIA,  
 10.25mm FROM BOTTOM AND TOP EDGES  
 = CENTRE OF HOLE  
 8.25mm FROM SIDE EDGE  
 = CENTRE OF HOLE

- TYPE K THERMOCOUPLE
- TYPE J THERMOCOUPLE
- TYPE T THERMOCOUPLE
- TYPE N THERMOCOUPLE
- 3 WIRE RTD PT100
- 4 WIRE RTD PT100
- OPTION - Ex ia

### MIMS SENSOR SURFACE MOUNT LARGE ALUMINIUM TERMINAL HEAD SKIN TEMPERATURE SENSOR

Compliance with ANSI AS/NZS 60079. 11.2006 Explosive Atmospheres,  
 Intrinsic safety Ex ia (1047 RTD & TC)

#### TEMPERATURE CONTROLS PTY LTD

Certificate No: QEC 14412  
 AS/NZS 9001:2000

#### CONDITIONS

THIS DRAWING IS OUR EXCLUSIVE PROPERTY AND MUST NOT BE COPIED OR HANDED TO ANY OTHER PARTIES WITH OUT WRITTEN PERMISSION. IT SHALL BE RETURNED UPON REQUEST

SYDNEY : 7 YAMMA ST SEFTON , NSW 2162  
 PHONE : (02) 9721 8644 FAX : (02) 9738 9339  
 MELBOURNE : 8/280 Whitehall St  
 YARRAVILLE VIC 3013  
 PHONE : (03) 9687 0000 FAX : (03) 9687 1900  
 EMAIL : sales@temperature.com.au



TITLE

SIZE : A4	DATE : 17/09/10	<b>DWG NO : SD 818</b>
SCALE : NTS	DRAWING BY R.B	<b>REV : 00</b>